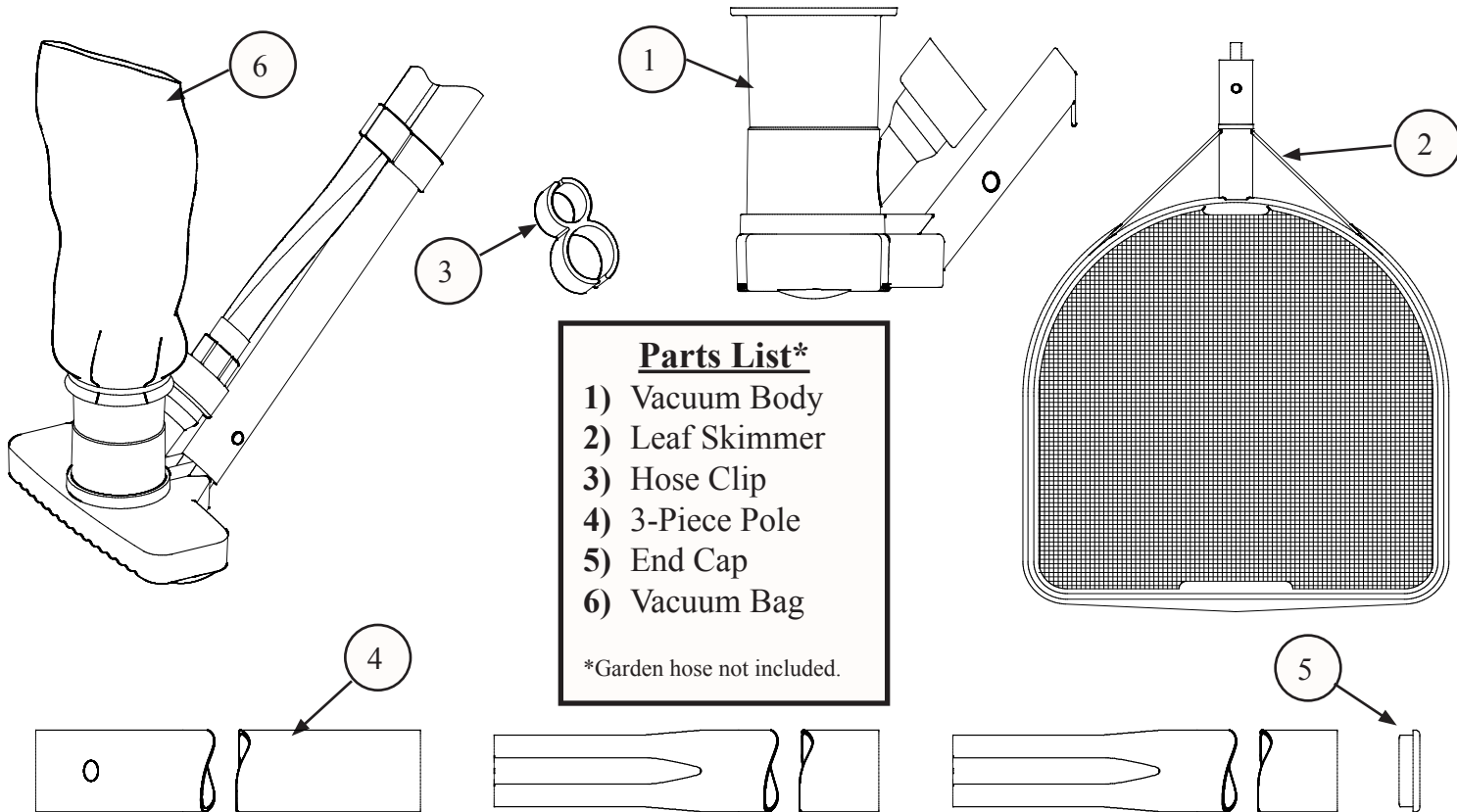


# Pool Maintenance Kit Instructions



## Assembly:

- 1) Assemble the 3-Piece Pole (4) by inserting the crimped ends into the round ends. Make sure that the section with the hole through the side is at the far end, and the End Cap (5) is at the opposite end.
- 2) After the Pole is assembled, it can be attached to either the Vacuum (1) or the Leaf Skimmer (2). To attach it to either one, squeeze the white spring pins in, while inserting it into the 3-Piece Pole.
- 3) If you are assembling the vacuum, you should install the large end of the Hose Clip (3) over the end of the Pole (4) before inserting the Vacuum Body (1). Then, with NO water pressure in the hose, you can squeeze the hose into the smaller opening of the Hose Clip. Position the hose on the upper side of the pole as shown, aligning the hose with the adapter and tightening until the hose is secure.
- 4) Loosen the drawstrings on the open end of the Vacuum Bag (6) and place it over the hole at the top of the Vacuum Body (1). Pull the bag over the lip and make sure the drawstring is located completely below the lip of the Vacuum Body. Pull the drawstring tight and secure it so it won't pull off.

## Operation:

- 1) Use the skimmer to skim debris off the surface of the water and the vacuum to clean the pool bottom.
- 2) Place the vacuum inside the pool.
- 3) Turn the garden hose on. This will create the venturi action in the vacuum body.
- 4) Slowly, push the vacuum across the bottom of the pool, trying to avoid stirring up any piles of dirt or debris that may have accumulated on the bottom.
- 5) When you are done or after the bag is filled, turn the vacuum on its side in the pool, while you turn off the water. While holding it sideways or upside down, carefully lift the vacuum out of the pool. This will prevent dirt and leaves from falling out of the vacuum bag and getting back into your pool. To clean the vacuum bag, loosen the drawstring, remove it, and turn it inside out and rinse with a garden hose.